





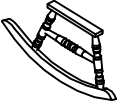




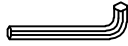


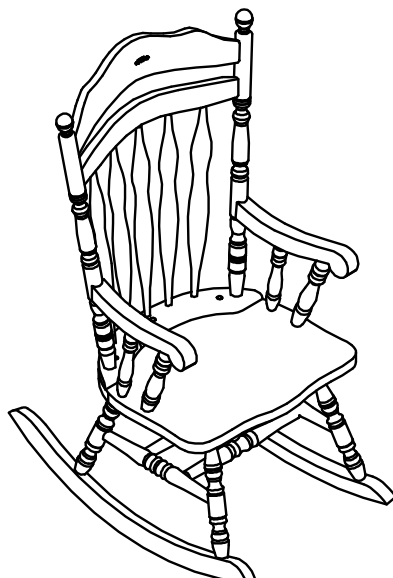


ASSEMBLE INSTRUCTION

ITEM NO : 5904 Rocking Chair

**** Thank you for purchasing quality product. Be sure to check all packing material carefully for small parts that may have come loose inside the carton during shipment.**
Note: place all wooden parts on a clean and smooth surface such as a rug or carpet to avoid scatching the product .Kindly follow the assembly instructions by step.
Do not tighten all screws and bolts until the chair is fully assemble.

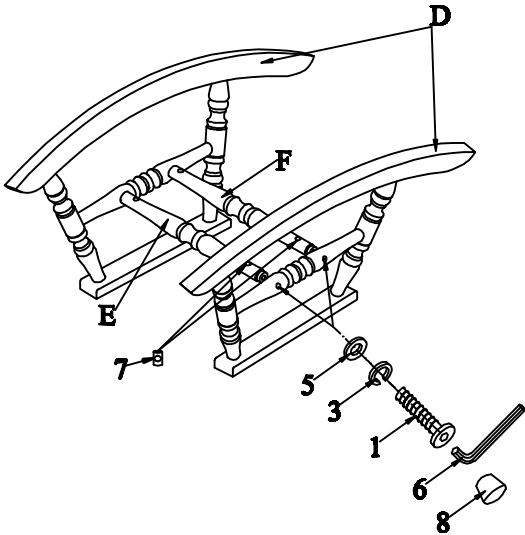
WOODEN PART				HARDWARE LIST			
No	Parts name	Symbol	Qty	No	Parts name	Symbol	Qty
A	CHAIR BACK		1PCS	1	Ø 1/4" x 60mm		8PCS
B	ARM REST (LEFT&RIGHT)		2PCS	2	Ø 1/4" x 32mm		9PCS
C	CHAIR SEAT		1PC	3	Ø 1/4" x 10.5mm		17PCS
D	LEG (LEFT&RIGHT)		2PCS	4	Ø 1/4" x 19mm		2PCS
E	FRONT STRETCHER (LONG)		1PC	5	Ø 1/4" x 12.5mm		15PCS
F	BACK STRETCHER (SHORT)		1PC	6	M4		1PC
				7	Ø 1/4" x 13mm		6PCS
				8	Ø 13.5 x 8mm		9PCS



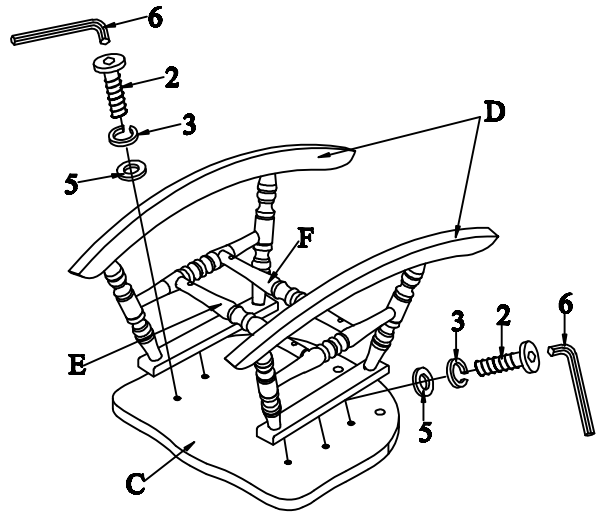
ASSEMBLE INSTRUCTION

ITEM NO : 5904 Rocking Chair

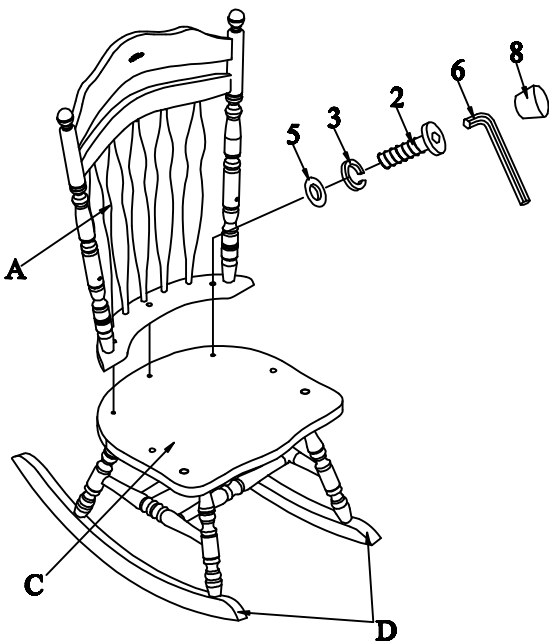
Step 1



Step 2



Step 3



Step 4

